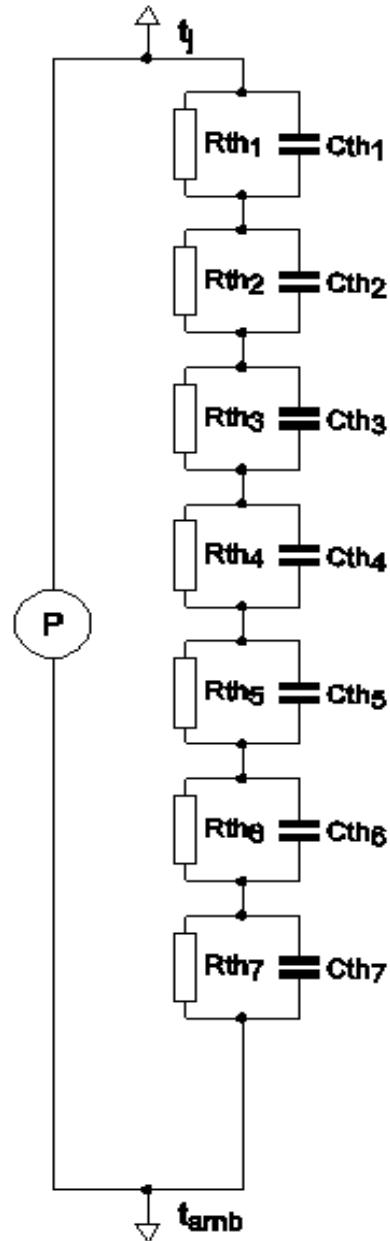


SPICE thermal model

PSMN3R0-30MLC

Symbol	Parameter	Conditions	Min	Typ	Max	Unit
$R_{th(j-mb)}$	thermal resistance from junction to mounting base		-	-	1.70	K/W

C_{th1}	4.128E-05 F
C_{th2}	1.573E-04 F
C_{th3}	3.383E-04 F
C_{th4}	1.859E-03 F
C_{th5}	3.596E-03 F
C_{th6}	8.820E-03 F
C_{th7}	6.959E-02 F
R_{th1}	2.338E-03 Ω
R_{th2}	6.040E-03 Ω
R_{th3}	2.521E-02 Ω
R_{th4}	6.827E-02 Ω
R_{th5}	2.806E-01 Ω
R_{th6}	1.154E+00 Ω
R_{th7}	1.637E-01 Ω



Part: PSMN3R0-30MLC
 Date: 2/11/2015
 Model Rth 1.70 K/W